

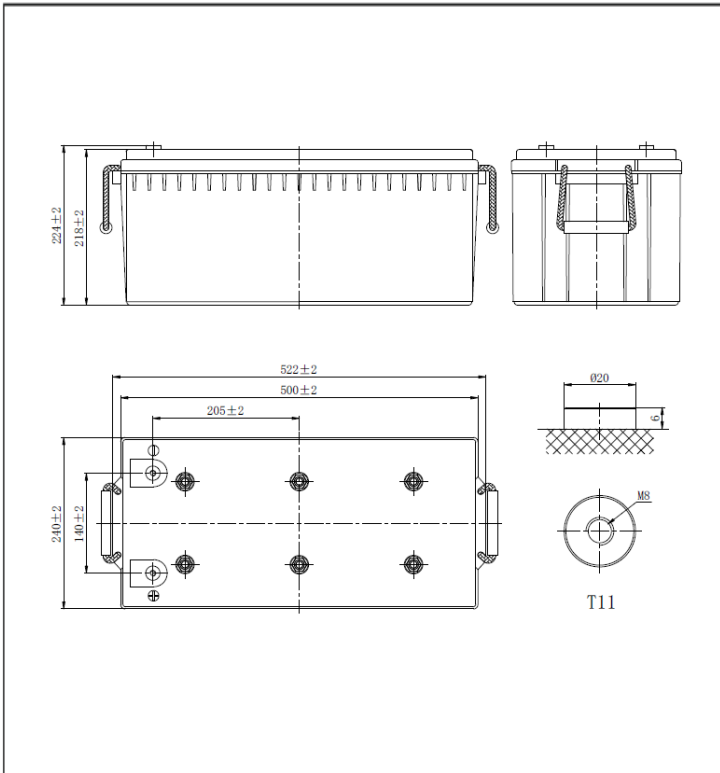
HYBRID GEL BATTERY

BLACK BATT.

SPECIFICATIONS

Model	BBG 200-12	
Nominal Voltage	12V	
Rated capacity (20 hour rate)	200Ah	
Dimensions	Length	522mm (20.6inches)
	Width	240mm (9.45inches)
	Height	218mm (8.58inches)
	Total Height	224mm (8.82inches)
Approx. Weight	57.9 kg (127.6 lbs)	

OUTER DIMENSIONS (MM) / TERMINAL TYPE (MM)



CHARACTERISTICS

Capacity (25 °C)	20HR(10.5V)	200Ah
	10HR(10.5V)	135Ah
	1HR(9.60V)	100Ah
Terminal type		T11 (M8)
Internal resistance (Fully charged, 25 °C)		Approx 3.2m Ω
Capacity affected by temperature (20HR)	40 °C	103%
	25 °C	100%
	0 °C	86%
	-15 °C	65%
Self-discharge (25 °C)	3 months	Remaining Capacity:91%
	6 months	Remaining Capacity:82%
	12 months	Remaining Capacity:65%
Nominal operating temperature		25°C ± 3°C (77°F ± 5°F)
Operating temperature range	Discharge	-15°C ~ 50°C (5°F ~ 122°F)
	Charge	-10°C ~ 50°C (14°F ~ 122°F)
	Storage	-20°C ~ 50°C (-4°F ~ 122°F)
Float charging voltage(25°C)		13.60 to 13.80V Temperature compensation: -18mV/°C
Cyclic charging voltage(25°C)		14.50 to 14.90V Temperature compensation: -30mV/°C
Maximum charging current		0.25C
Terminal material		Copper
Maximum discharge current		900A(5 sec.)
Designed floating life(20°C)		10 years

CONSTANT CURRENT DISCHARGE CHARACTERISTICS UNIT: A (25°C)

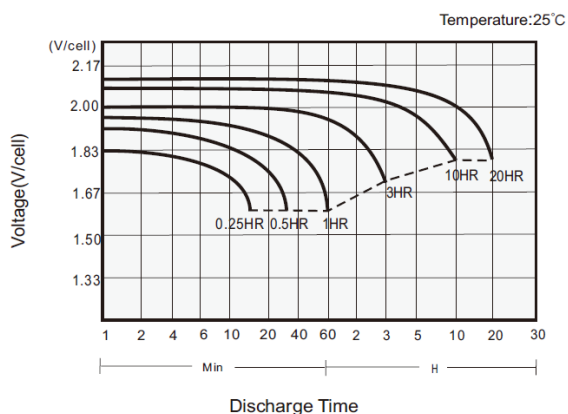
F.V/Time	15min	20min	30min	45min	1h	2h	3h	4h	5h	6h	8h	10h	20h
1.85V/cell	204.8	172.8	138.9	108.2	89.9	58.5	46.5	37.7	31.6	27.4	22.1	18.6	10.0
1.80V/cell	243.9	201.3	159.9	122.8	100.0	63.7	50.0	40.0	34.0	29.5	23.6	20.0	10.3
1.75V/cell	271.8	221.0	170.4	129.9	105.8	66.6	51.8	41.4	34.8	30.3	24.0	20.2	10.4
1.70V/cell	293.6	235.0	179.8	136.4	110.4	69.9	53.6	42.6	35.7	30.9	24.3	20.3	10.6
1.67V/cell	309.2	247.3	188.3	140.5	114.4	71.9	55.6	43.9	36.6	31.6	24.7	20.5	10.7
1.60V/cell	333.4	265.6	200.1	148.5	119.9	74.6	57.6	44.9	37.3	32.2	25.0	20.8	10.8

CONSTANT POWER DISCHARGE CHARACTERISTICS UNIT: W (25°C)

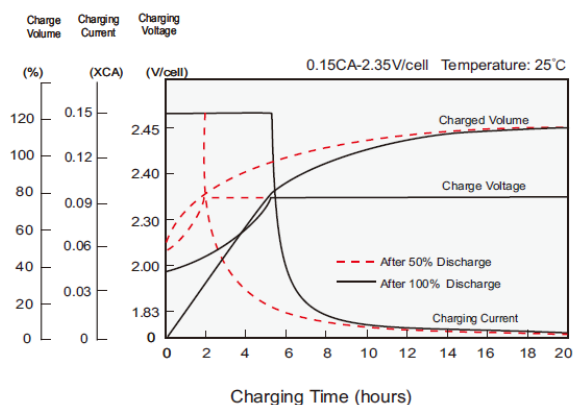
F.V/Time	15min	20min	30min	45min	1h	2h	3h	4h	5h	6h	8h	10h	20h
1.85V/cell	385.1	328.2	266.2	209.0	174.2	114.0	91.1	73.8	62.2	54.1	43.8	36.9	19.9
1.80V/cell	452.7	377.0	302.6	235.3	192.8	123.3	97.3	78.2	66.6	57.9	46.5	39.7	20.5
1.75V/cell	498.1	409.7	319.8	246.8	202.9	128.7	100.5	80.6	68.0	59.3	47.3	40.0	20.6
1.70V/cell	529.7	431.6	334.9	257.7	210.9	134.6	103.7	82.8	69.6	60.4	47.9	40.2	21.0
1.67V/cell	552.4	449.8	347.6	263.3	217.0	137.5	107.1	85.0	71.1	61.6	48.5	40.5	21.2
1.60V/cell	585.8	477.8	366.3	276.6	226.3	141.9	110.3	86.6	72.2	62.7	49.0	41.1	21.3

Note: The above characteristics data can be obtained within three charge/discharge cycles

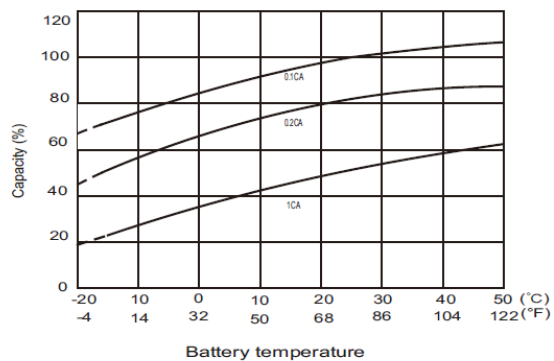
DISCHARGE CHARACTERISTICS (25°C)



CHARGING CHARACTERISTICS (25°C)



TEMPERATURE EFFECTS ON CAPACITY



SELF-DISCHARGE CHARACTERISTICS

