

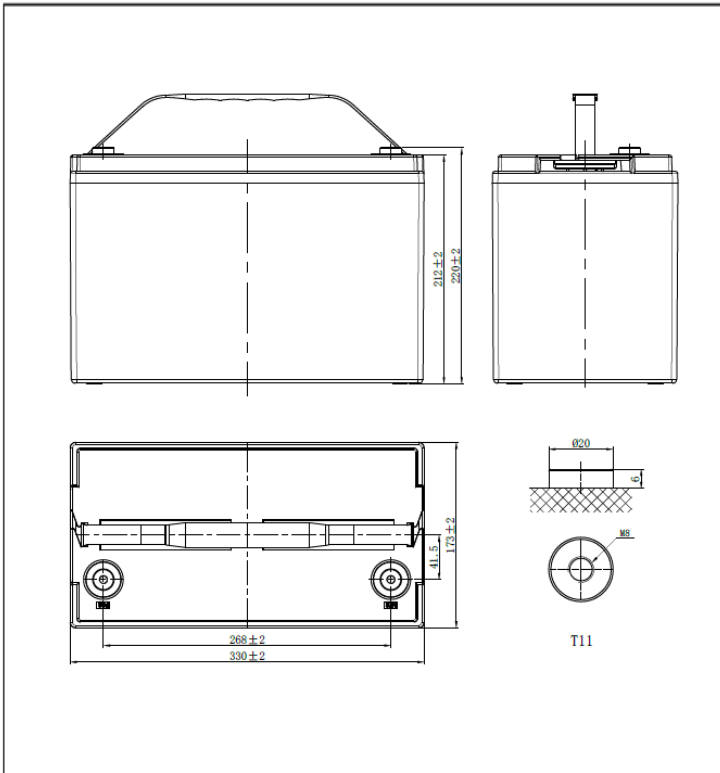
HYBRID GEL BATTERY

BLACK BATT.

SPECIFICATIONS

Model	BBG 105-12	
Nominal Voltage	12V	
Rated capacity (20 hour rate)	105Ah	
Dimensions	Length	330± 2mm(13.0inch)
	Width	173± 2mm(6.81inch)
	Height	212± 2mm(8.35inch)
	Total Height	220± 2mm(8.66inch)
Approx. Weight	28.2kg(62.2lbs)± 5%	

OUTER DIMENSIONS (MM) / TERMINAL TYPE (MM)



CHARACTERISTICS

Capacity (25 °C)	20HR(10.5V)	105Ah
	10HR(10.5V)	100Ah
	1HR(9.60V)	58.1Ah
Terminal type		T11 (M8)
Internal resistance (Fully charged, 25 °C)		Approx. 5.5m Ω
Capacity affected by temperature (20HR)	40 °C	103%
	25 °C	100%
	0 °C	86%
	-15 °C	65%
Self-discharge (25 °C)	3 months	Remaining Capacity:91%
	6 months	Remaining Capacity:82%
	12 months	Remaining Capacity:65%
Nominal operating temperature		25°C± 3°C(77°F± 5°F)
Operating temperature range	Discharge	-15°C~50°C(5°F~122°F)
	Charge	-10°C~50°C(14°F~122°F)
	Storage	-20°C~50°C(-4°F~122°F)
Float charging voltage(25°C)		13.60 to 13.80V Temperature compensation: -18mV/°C
Cyclic charging voltage(25°C)		14.50 to 14.90V Temperature compensation: -30mV/°C
Maximum charging current		0.25C
Terminal material		Copper
Maximum discharge current		900A(5 sec.)
Designed floating life(20°C)		10 years

CONSTANT CURRENT DISCHARGE CHARACTERISTICS UNIT: A (25°C)

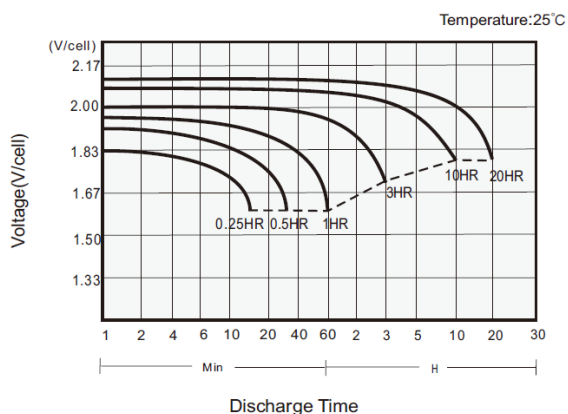
F.V/Time	15min	20min	30min	45min	1h	2h	3h	4h	5h	6h	8h	10h	20h
1.85V/cell	98.1	82.9	66.6	52.0	45.0	29.6	23.2	18.8	15.8	13.8	11.1	9.28	5.00
1.80V/cell	116.8	96.5	76.7	59.1	50.0	32.1	25.0	20.1	17.0	14.7	11.8	10.0	5.15
1.75V/cell	130.2	105.9	81.8	62.4	52.9	33.7	25.8	20.7	17.4	15.1	12.0	10.1	5.20
1.70V/cell	140.6	112.6	86.3	65.6	55.2	35.3	26.8	21.3	17.9	15.5	12.1	10.2	5.30
1.67V/cell	148.1	118.5	90.4	67.5	57.2	36.3	27.7	21.9	18.3	15.8	12.3	10.3	5.35
1.60V/cell	159.7	127.2	96.0	71.5	59.9	37.6	28.7	22.4	18.6	16.1	12.5	10.4	5.40

CONSTANT POWER DISCHARGE CHARACTERISTICS UNIT: W (25°C)

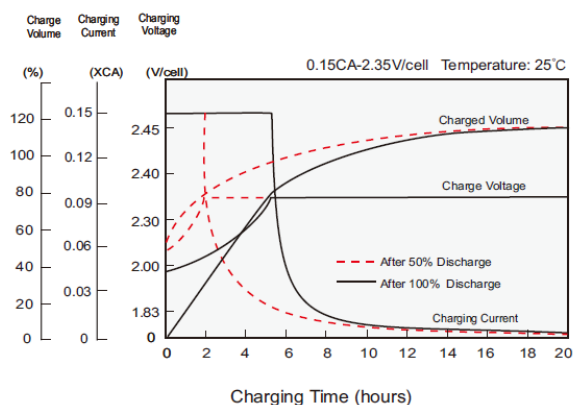
F.V/Time	15min	20min	30min	45min	1h	2h	3h	4h	5h	6h	8h	10h	20h
1.85V/cell	184.5	157.3	127.7	100.5	87.1	57.6	45.4	36.9	31.1	27.0	21.9	18.4	9.94
1.80V/cell	216.9	180.7	145.2	113.2	96.4	62.2	48.5	39.1	33.3	28.9	23.3	19.8	10.2
1.75V/cell	238.6	196.3	153.5	118.7	101.5	65.0	50.1	40.2	34.0	29.7	23.6	20.0	10.3
1.70V/cell	253.7	206.9	160.8	124.0	105.4	68.0	51.7	41.4	34.8	30.2	23.9	20.1	10.5
1.67V/cell	264.5	215.6	166.8	126.7	108.5	69.5	53.5	42.4	35.5	30.8	24.2	20.3	10.6
1.60V/cell	280.6	229.0	175.8	133.0	113.2	71.7	55.0	43.2	36.0	31.4	24.5	20.6	10.7

Note: The above characteristics data can be obtained within three charge/discharge cycles

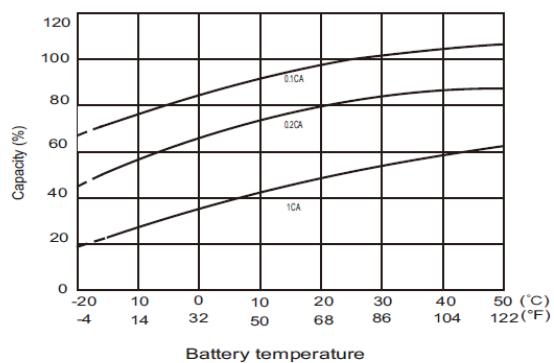
DISCHARGE CHARACTERISTICS (25°C)



CHARGING CHARACTERISTICS (25°C)



TEMPERATURE EFFECTS ON CAPACITY



SELF-DISCHARGE CHARACTERISTICS

